

PHOBOS BT A



rolling code



er ready



ee link



d-track



24 V

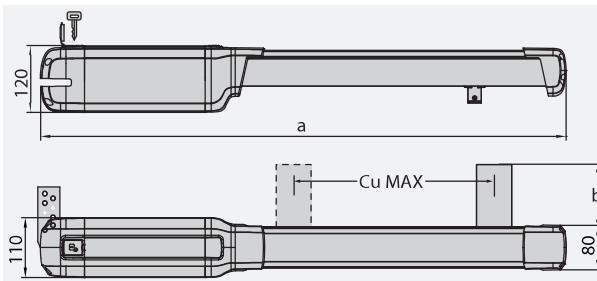


U-Link

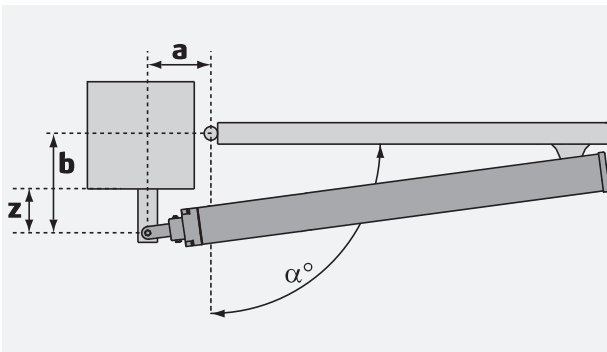


Complete range of electromechanical pistons for residential use, suitable for swing gate leaves up to 4 metres wide and weighing up to 500 kg. Obstacle detection: the management and control system of the D-Track pair ensures maximum safety for people and property, as well as facilitating certification of the system

Dimension (mm)



	a	b	Cu MAX
Phobos BT A25	850	72,5	290
Phobos BT A40	960	108	400
Phobos AC A25	850	72,5	350
Phobos AC A40	960	108	460



INSTALLATION DIMENSIONS

PHOBOS BT A25								
z > 60 (mm)	a (mm)							
	100	110	120	130	140	150	160	170
100				114	116	108	102	97
110				112	108	103	98	95
120				111	105	99	95	
130			107	105	100	95	92	
140			105	100	95	92		
150		105	100	95	92			
160		101	95	92	89			
170	101	93	91	89				
180	92	90	88					
190	90	87						
200	87							α°

PHOBOS BT A40														
z > 60 (mm)	a (mm)													
	100	110	120	130	140	150	160	170	180	190	200	210	220	230
130	100	104	107	110	113	116	119	121	124	123	114	109	104	101
140	100	103	106	109	112	115	118	120	122	116	110	107	102	98
150	99	102	105	108	111	114	117	119	120	112	106	102	98	95
160	98	101	105	107	110	113	115	116	114	109	103	99	96	
170	97	110	104	107	109	112	114	113	109	105	100	96	93	
180	97	100	103	106	108	111	113	109	105	100	97	93		
190	97	100	102	105	107	109	112	106	101	96	93			
200	97	99	101	104	106	106	106	100	97	93				
210	96	98	101	103	106	104	103	97	92					
220	96	98	101	103	105	101	97	93						
230	96	98	101	103	105	97	93							
240	95	97	99	99	96	92								
250	95	97	97	95	91									
260	95	97	95	91										

TECHNICAL FEATURES

	PHOBOS BT A25	PHOBOS BT A40
Control unit	THALIA	
Board power supply	230 V	230 V
Motor voltage	24 V	24 V
Power input	40 W	40 W
Max. width of door/gate wing	2,5 m	4 m
Max. weight of door/gate wing	400 kg	500 kg
Useful rod stroke	290 mm	400 mm
Maximum angle	116 °	124 °
Cycle time	15 s	20 s
Type of limit switch	Magnetic	Magnetic
Slowdown	Yes	Yes
Locking	Mechanical	Mechanical
Release	Personal key	Personal key
Impact reaction	D-Track	D-Track
Frequency of use	intensive	intensive
Protection rating	IPX4	
Environmental conditions	-20 + 55 °C	