

# Xetec - AD60D Autodoor System

## Motor & Transmission Device



### Controller

Regulation of digital quantization, more convenient operation. This module receiving human detection signal from the sensor, the drive motor, control the motion of the door,



Easy Maintenance



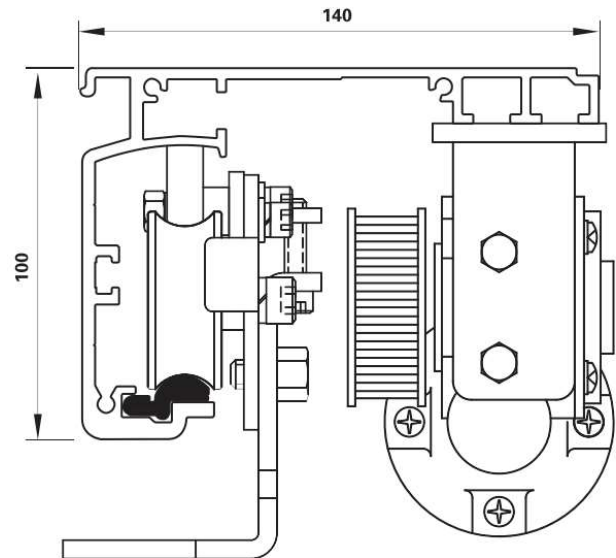
Suitable for Large Access  
such as Industrial Workshops

AD60D is a global trusted high-power brushless motor & new design for heavy door. AD60D utilizes new mechanical components & imported nylon rollers which resulted in convenient installation & smooth operation.

## Technical Data

Unit Model	RG-AT60D	RG-AT60D-5	RG-AT60D-6
Door Configuration	Single   Double		
Door Leaf Weight	≤ 1 x 250kg	≤ 2 x 200kg	
Length of Rail	4.2m   5m   6m		
Clean Open Width	1000~2800mm   1800~3800mm		
Sliding Noise	≤ 55dB		
Power Voltage	AC 220V ± 10%, 50 - 60Hz AC 110V ± 10%, 50 - 60Hz		
Power Consumption	≤ 100w		
Opening Speed	300~550mm/s(Adjustable)		
Closing Speed	200~550mm/s(Adjustable)		
Hold-Open Time	1~10s(Adjustable)		
Closed Force	>100N		
Manual Push	<100N		

## Dimension(mm)



\*\* Note: Specification subject to change without pre-notification.