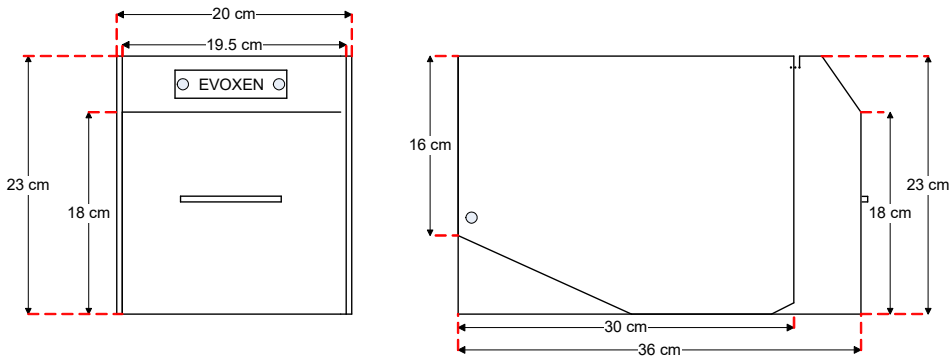


Ticket Issuing Machine



Ticket Issuing Machine (TIM) is used normally for unattended parking (Autopay and central payment solution). It will be linked to CCS (central console Station) . TIM is used to generate lost, replacement ticket at parking office, and also to generate preprinted ticket (Flat rate)



Technical Specifications

Description	Data
Input Voltage	230V ± 10%
Chassis	Metal steel powder coated housing
Front Panel	Stainless steel with enclosed design protection
Ticket Type	Pre charge , Replacement ,Lost Ticket and all flat rate
Ticketing Technology	Thermal barcode technology
Ticket Printer	Embedded Industrial heavy duty thermal printer
Paper Dimensions	82.5± 0.5mm x dia. 254mm max

Please contact:



*All photo and picture above is for illustration purposes only
Evoxen reserve the right to change specification without prior notice



www.evoxen.com

Technologies and component described above are either covered by existing patents or patent applications are in progress
All other brand and product names, photo are registered trademarks & copyrights of their respective owners.
Evoxen acknowledge all third party trademarks in this document

Ticket Issuing Machine

